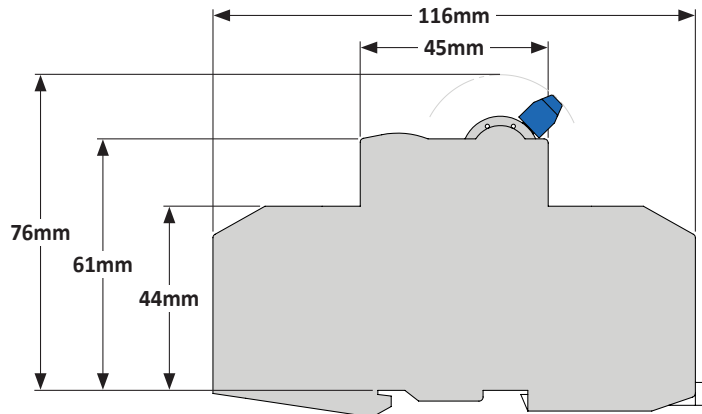


Jtec 80A - 125A High Current MCBs



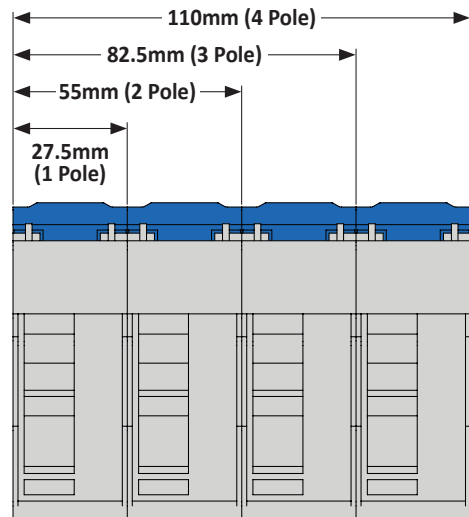
The Jtec 10kA High Current range comprises of three different ratings 80A, 100A & 125A and is available in 1-4 pole variants. These are all available in trip curves of B, C and D, providing a cost effective solution for larger current ratings. Due to the higher current ratings they are 27mm wide (1.5 modules) per pole.

For even higher current ratings (up to 1600A) our electronically adjustable Mtec range is a perfect solution (see page 60).

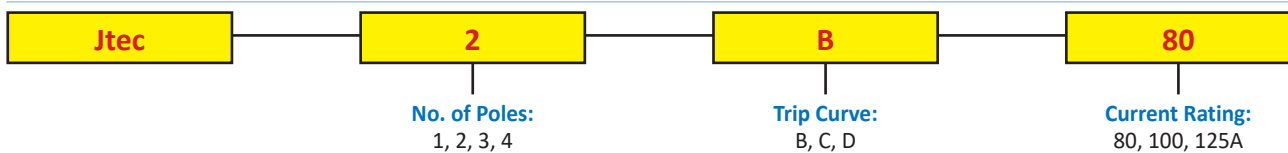


Jtec High Current Technical Specification

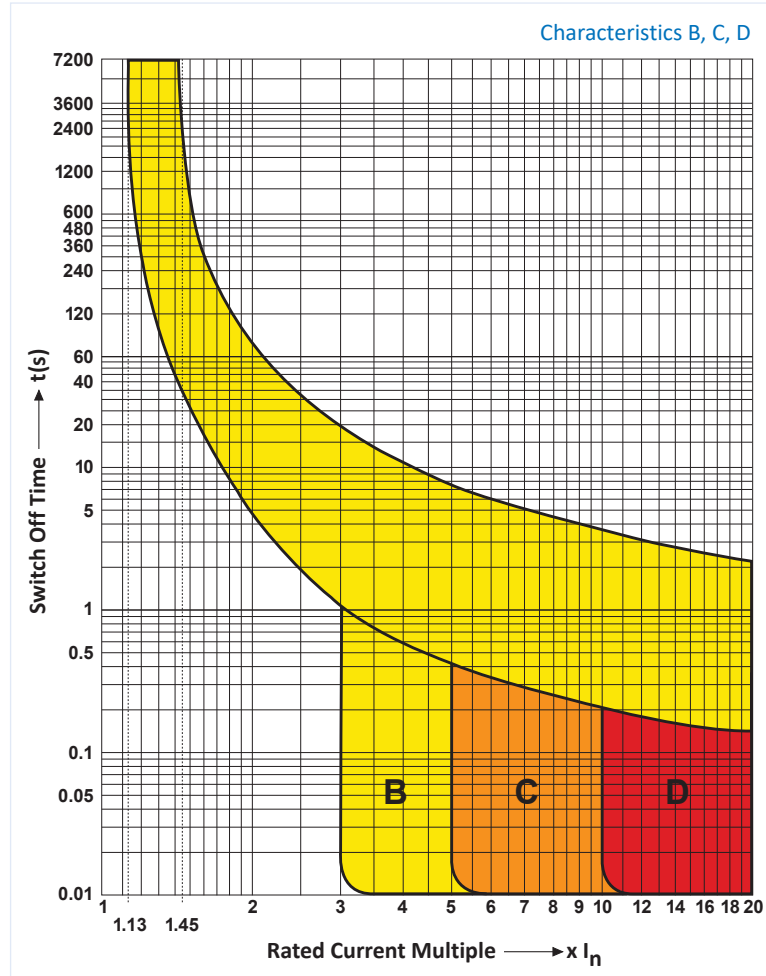
Number of Poles	1 - 4
Rated Voltage	230 / 400 Vac, 110 Vdc per Pole
Current Range	80, 100, 125A
Breaking Capacity	10kA
Trip Curves	B, C and D to EN60898
Rated Frequency	50Hz
Electrical Endurance	4000 cycles
Operating Temperature	-5°C to +40°C
Width	1.5 module (27mm)
Cable Size	25mm ² - 50mm ²
Terminal Tightening Torque	2.3Nm - 3.0Nm



Jtec High Current Ordering Scheme



Jtec High Current Trip Curves



Jtec High Current Accessories (Factory Fitted Only)

Accessories		Order Codes
Auxiliary and Signal Contacts	1 Changeover Contact	Jtec AUX 1CO
	2 Changeover Contact	Jtec AUX 2CO
Shunt Trips (AC)	12 Vac	Jtec ST 12AC
	24 Vac	Jtec ST 24AC
	48 Vac	Jtec ST 48AC
	60 Vac	Jtec ST 60AC
	110 Vac	Jtec ST 110AC
	120 Vac	Jtec ST 120AC
	230 Vac	Jtec ST 230AC
	277 Vac	Jtec ST 277AC
Shunt Trips (DC)	400 Vac	Jtec ST 400AC
	12 Vdc	Jtec ST 12DC
	24 Vdc	Jtec ST 24DC
	48 Vdc	Jtec ST 48DC
	110 Vdc	Jtec ST 110DC